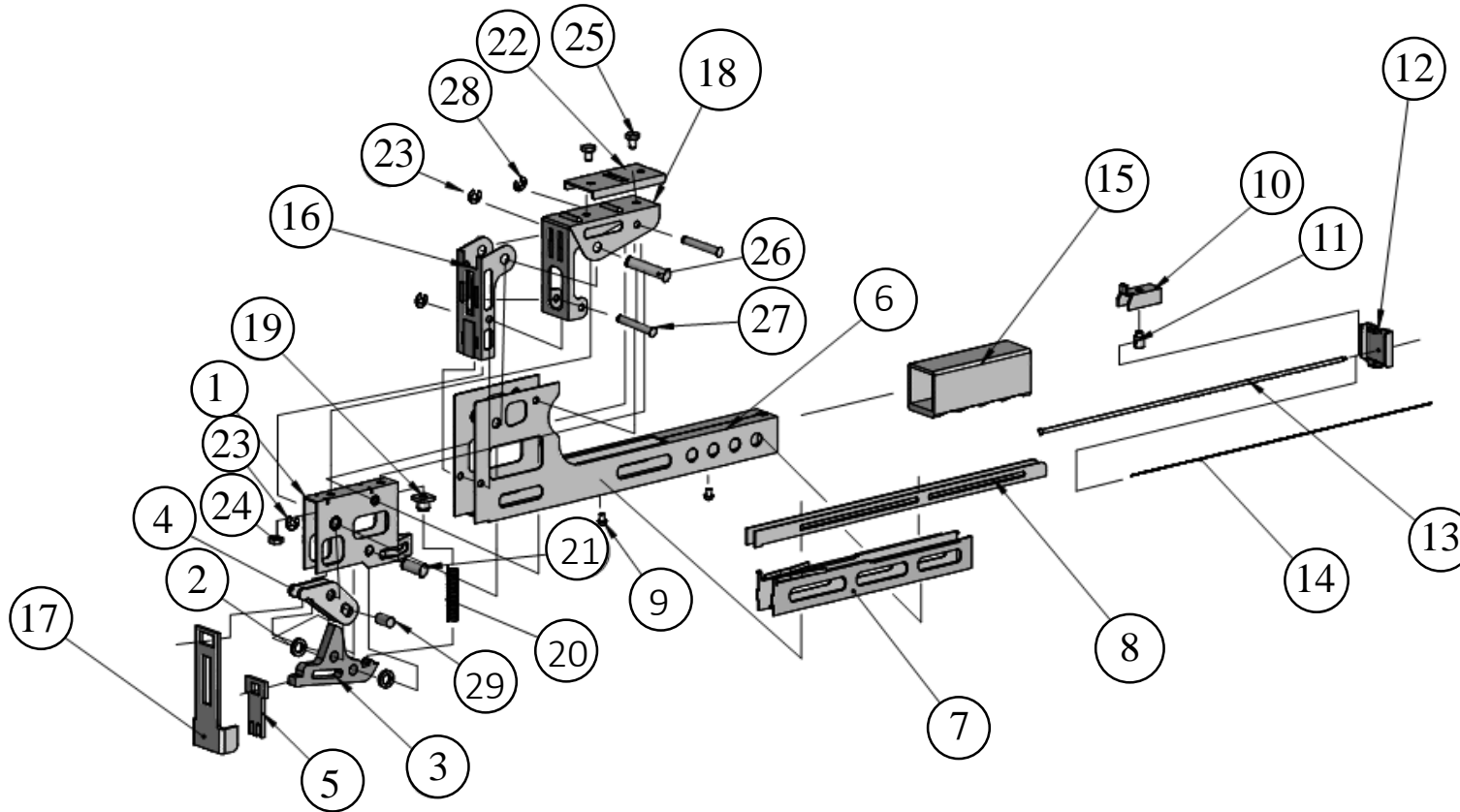




SUNDOG HT-RFID HAMMER TACKER PARTS SCHEMATIC



Item No.	Description	Part No.	Qty.
1	Crank Assy Bracket	HT RFID-1	1
2	Spacer		
3	Driver Link	HT RFID-2	5
4	Trip Link	HT RFID-3	2
5	Driver	HT RFID-4	1
6	Handle	HT RFID-5	1
7	Magazine Guide Outer		
8	Magazine Core		
9	3/16 Rivet		
10	Pusher	HT RFID-6	1
11	Pusher Pivot Pin		
12	End Coverer		
13	Pusher Rod		
14	Pusher Spring		
15	Rubber Grip	HT RFID-7	1
16	Driver Guide Outer	HT RFID-8	1
17	Contact Trip	HT RFID-9	1
18	Top Cover	HT RFID-10	1
19	Spring Boss	HT RFID-11	1
20	Crank Spring	HT RFID-12	1
21	Ø .375 x .874 Grooved Pin	HT RFID-13	1
22	Top Plate	HT RFID-14	1
23	Ø .375 E-Ring	HT RFID-15	2
24	Nut 1/4-20	HT RFID-16	1
25	Bolt 1/4-20 x .375	HT RFID-17	2
26	Ø .375 Grooved Pin	HT RFID-18	1
27	Ø .250 Grooved Pin	HT RFID-19	2
28	Ø .250 E-Ring	HT RFID-20	2
29	Ø .375 x .680 Pin	HT RFID-21	1

PROPRIETARY AND CONFIDENTIAL
 THE INFORMATION CONTAINED IN THIS DRAWING IS THE SOLE PROPERTY OF UTILITY COMPOSITES, INC. ANY REPRODUCTION IN PART OR AS A WHOLE WITHOUT THE WRITTEN PERMISSION OF UTILITY COMPOSITES, INC. IS PROHIBITED.